



## TS4-A-2F

### Module-level PV Rapid Shutdown for Two Modules

The TS4-A-2F (Fire Safety) is the advanced add-on rapid shutdown solution that brings smart module functionality to standard PV modules for higher reliability. Ensure safety by upgrading existing PV systems or by adding safety features to new installations.

The TS4-A-2F complies with NEC 2017 & 2020 690.12 Rapid Shutdown specifications when installed with the Tigo RSS Transmitter or an inverter with built-in Tigo certified transmitter.

#### Included Features



Fire Safety

Enhanced **safety** for NEC 690.12 rapid shutdown compliance

#### Easy Installation

Snap to standard module frame or remove clips for rack mounting

#### PLC Signaling

Control rapid shutdown with the Tigo RSS Transmitter

#### Automatic Shutdown

PV array enters rapid shutdown in event of AC grid loss



# TS4-A-2F SPECIFICATIONS

## Environmental

Operating Temperature Range -30°C to +70°C (-22°F to +158°F)

Outdoor Rating IP68, NEMA 3R

## Mechanical

Dimensions 138.4mm x 139.7mm x 22.9mm

Weight 590g

## Electrical

Max Input Voltage (V<sub>oc</sub> @ Lowest Temperature) 80V

Input Voltage Range (per input) 16 - 80V

Maximum Output Voltage 160V (80V per input)

Maximum Current (per input) 15A

Maximum Power (total) 1000W

Cable Lengths (in/out) 0.12 and 0.2m/2.2m (standard)  
1.2 and 1.3m/ 2.4m (optional)

Connectors MC4 (standard), EVO2 (optional)

Communication Type PLC

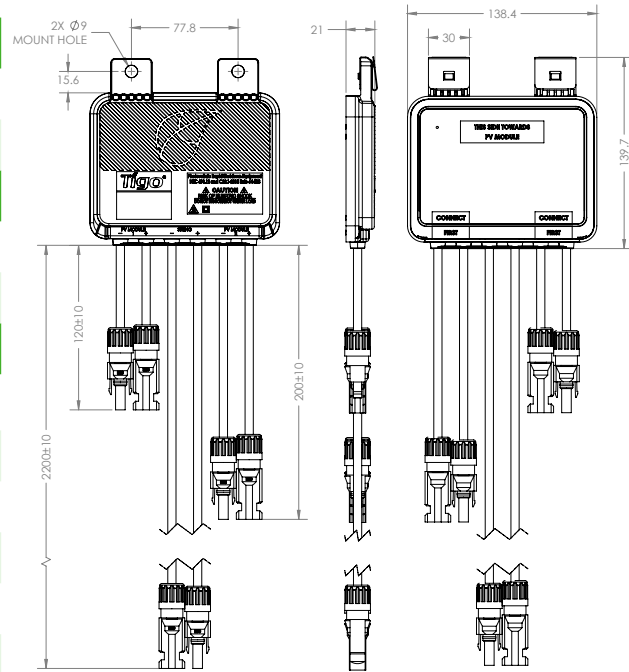
Rapid Shutdown UL Listed (NEC 2017 & 2020 690.12) Yes

Rapid Shutdown Time Limit 30 secs or less\*\*

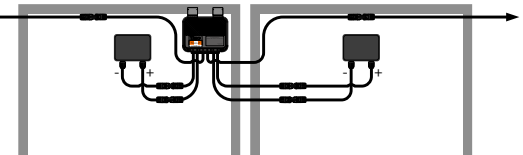
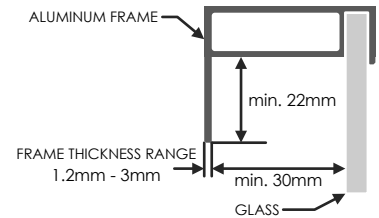
Conductor AWG Range 10-12AWG

PVRSE Controlled Conductors ≤30 Vdc, ≤240VA, ≤8A\*\*

Rapid shutdown activation of TS4-A-2F requires RSS Transmitter.  
\*Maximum output voltage of the TS4 is dependent on the PV module voltage. Refer to PV modules nameplate.  
\*\*Limits are based on NEC 690.12 rapid shutdown requirements.



Module frame specifications for mounting TS4-A



Installation example: Serial connection of two PV modules to a TS4-A-2F

# ORDERING INFORMATION

## Standard

484-00252-22 15A, 1000W, 1500VUL/1000VIEC, 2.2m Cable, MC4

## Optional

484-00252-24 15A, 1000W, 1500VUL/1000VIEC, 1.2/1.3/2.4M Cable, MC4

484-00261-22 15A, 1000W, 1500VUL/IEC, 2.2M Cable, EVO2

484-00261-24 15A, 1000W, 1500VUL/IEC, 1.2/1.3/2.4M Cable, EVO2



## For sales info:

[sales@tigoenergy.com](mailto:sales@tigoenergy.com) or 1.408.402.0802

## For product info:

Visit [tigoenergy.com/products](http://tigoenergy.com/products)

## For technical info:

Visit [support.tigoenergy.com](http://support.tigoenergy.com)

For additional info and product selection assistance, use Tigo's online design tool at [tigoenergy.com/design](http://tigoenergy.com/design)

